

# Hex Installation Instructions

These installation recommendations consist of common-sense practices for installing wall panels and similar products with Z-Clips. Installers should rely upon their own professional experience and understanding of their unique requirements to be the best guide to a successful installation.

## Tools Needed

Bar level or laser level

Blue painter's tape (for installation of Baseboard Trim)

Chalk line

Drill

Heavy-duty construction adhesive (such as Liquid Nails) (for installation of Baseboard or End-of-Run Trim)

Jigsaw (for installation of Baseboard Trim)

Miter or table saw with carbide fine tooth blade

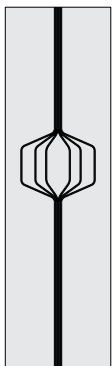
Tape measure

Wall screws appropriate for wall type

It is recommended that a cleaning solution be available to remove any adhesive that transfers onto the face of the wool felt. Adhesive must be removed with the solution before it has dried.

## Components Provided

Panels with Z-Clips pre-installed (correct orientation shown)



Wall Z-Clips in 6'-0" (1.8 m) lengths (must be cut to size)

Baseboard Trim (as ordered)



Baseboard Trim End Caps (as ordered)



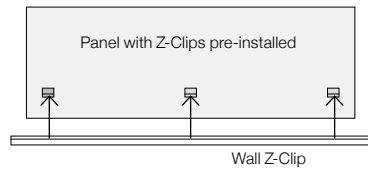
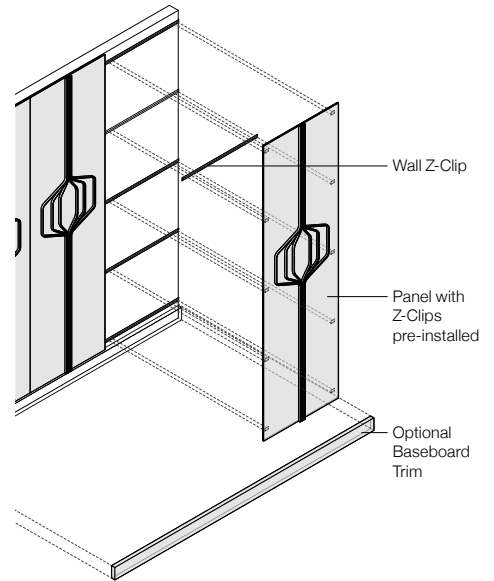
End-of-Run Trim (as ordered)



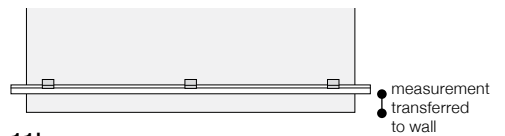
## Installation Instructions

- 1 Handle the Panels keeping the felt faces together and the substrate faces together to reduce the possibility of damage during installation.
- 2 Inspect the product. Subtle color and texture variations even within the same Panel are a normal aspect of this product. It is advisable to inspect for these irregularities and plan the layout accordingly making sure to evenly disperse any minor color variation. In the case of product defect or damage in transit, FilzFelt must be notified within five (5) business days. FilzFelt cannot accept a return or warranty claim on any material that has been installed.
- 3 Allow components to acclimate to the installation environment. After the shipping crates have been opened, the Panels should be laid out individually on the floor for at least forty-eight (48) hours.
- 4 While the Panels are becoming acclimatized, clean the work surface. It should be smooth, dry, and dust-free to allow the best possible installation. A Level 4 Finish wall preparation is sufficient.

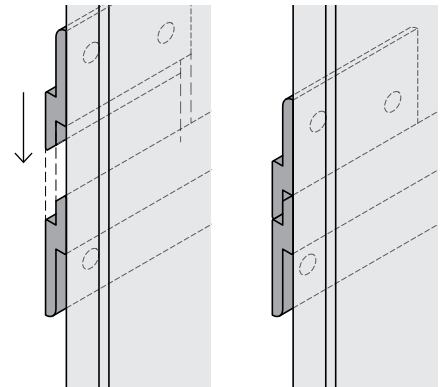
- 5 Use the bar level or laser level to determine an overall level line for the panel installation. This line will set the level for the entire installation so it is most important to get this right. **IMPORTANT:** Consider whether the product will be scribed to the ceiling or floor or both BEFORE setting this level line.
- 6 Prepare a cleaning solution to remove any adhesive that transfers onto the face of the wool felt. A mild enzyme-based detergent (such as Tide Free) is recommended. Create a dilute solution by adding three (3) parts water to one (1) part detergent in a clean container. To remove adhesive before it has dried, use a clean paper towel to gently blot the detergent into area. Press and release, press and release. Using a separate container of clear water, use clean, moist paper towels to blot more water into the stain. Press and release, press and release. Finish by blotting firmly with clean, dry paper towels until the area is nearly dry. **IMPORTANT:** Adhesive must be removed before dry. Avoid aggressive rubbing, as this can continue the felting process and change the surface appearance of the felt.
- 7 If the order includes Baseboard Trim, this is installed directly onto the wall at the floor. Baseboard Trim is provided in 8'-0" (2.4 m) lengths which are cut on site as needed to fit the wall. Align Baseboard Trim to sit flush against the wall. Scribe the Baseboard Trim to the finish floor and trim to achieve a good fit. Tape the felt face with blue painter's tape and use a sturdy jigsaw blade for the cut. Choose a blade with the teeth always pushing into the felt for the best edge quality. Apply the Baseboard Trim End Caps with heavy-duty construction adhesive.
- 8 If the installed Baseboard Trim does not end in a corner, apply the Baseboard Trim End Caps with heavy-duty construction adhesive to the exposed edge.
- 9 Wall Z-Clips are provided in 6'-0" (1.8 m) sections. Cut Wall Z-Clips with miter or table saw with carbide fine tooth blade to length as needed to fit the installation width. **IMPORTANT:** All pieces of Z-Clips may be used to complete the installation. DO NOT discard cut pieces of Z-Clips until after the installation is complete.
- 10 The Z-Clip hanging method is much like hanging a picture on the wall. The clips allow the Panels to be easily lifted off or set on the wall. **IMPORTANT:** A clearance of 1" (2.5 cm) from the top of Panels to the ceiling is required to lift and lock Z-Clips.
- 11 Start installation at the bottom left of the wall. Select the first Panel to be installed and place it on a clean surface with the back side facing up. Determine the location of Wall Z-Clips by placing a Wall Z-Clip into the Panel Z-Clip (11a). Measure from the base of the Panel to the bottom edge of the Wall Z-Clip (11b). Transfer this measurement to the wall, measuring from the finished floor or overall level line.
- 12 Set laser level or snap chalk lines on the wall at measured heights and ensure they are level.
- 13 If the installation does not include Baseboard Trim, scribe the Panels to the floor with a miter saw and long straight edge or table saw.
- 14 To cut device cut-outs in flat areas of panels, use a sharp utility knife and carpenter's square or oscillating multi-tool with fine tooth blade. If cutting with a utility knife, make a first pass with light pressure to score the felt. Next, make one (1) to two (2) additional passes using firm pressure and making sure the blade is plumb. **IMPORTANT:** Always use a sharp blade and change blades frequently.  
  
Devices may then be either wall-mounted or panel-mounted as specified by the client. All cutting and finishing of the cut-outs and installation of electrical devices are the responsibility of the purchaser.
- 15 Place Panel on wall at least 3/4" (1.9 cm) higher than desired height and press firmly against wall. Slide panel down to engage Z-Clips. Check to be sure all Z-Clips are engaged. If Panels are not sliding easily along Wall Z-Clips during installation, loosen by backing the screw off half a rotation.



11a



11b



15

Slide Panel down to engage Wall and Panel Z-Clips

- 16 Move across the row following the above procedure, making sure that the Panels are butted firmly against one another. Continue checking level throughout installation. Repeat moving up the wall until installation is complete.
- 17 If Panels will end at an outside corner or in the middle of a wall, End-of-Run Trim may be ordered to conceal the exposed edge of the acoustic substrate. To permanently apply, use heavy-duty construction adhesive.

### Cleaning Instructions

---

Like any natural fiber, a minimal approach should always be taken to clean wool felt since the cleaning method could potentially do more harm than the soiling or stain. The cleaning approach should be (1) dust with a lint roller, (2) vacuum with a clean, soft brush, (3) clean with water and mild detergent, and (4) clean with chemical spot remover. **IMPORTANT:** Always test any cleaning method in an inconspicuous area before attempting general cleaning.

For complete instructions, refer to the Product Maintenance + Cleaning Guide at [filzfelt.com/cleaning-guide](http://filzfelt.com/cleaning-guide).