

# Baffle with Suspension Rod Installation Instructions

Søuld + Felt Baffle

These installation recommendations consist of common-sense practices for installing baffles and similar products. Installers should rely upon their own professional experience and understanding of their unique requirements to be the best guide to a successful installation.

## Tools Needed

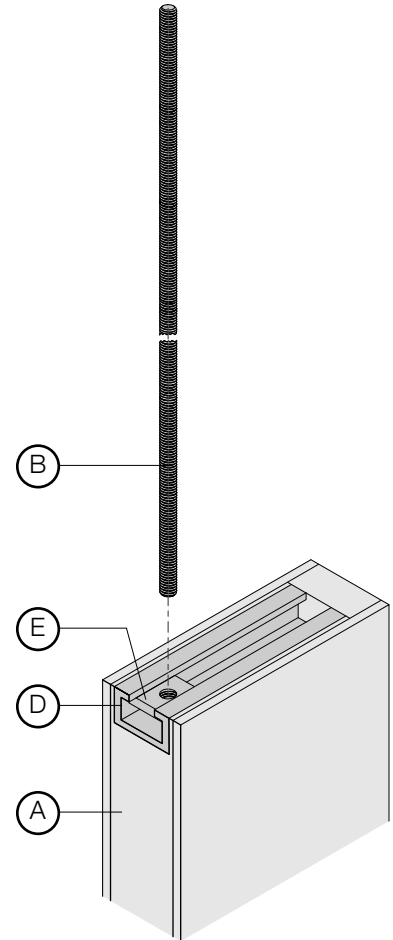
Ladder  
Laser or string level

## Components Provided

- A** Baffle(s) with c-channel and square nuts
- B** 3-5 x 3'-0" (91.4 cm) lengths of Suspension Rod per baffle (unless otherwise ordered)

## Installation Instructions

- 1 Inspect the baffles. In the case of product defect or damage in transit, Spinneybeck must be notified within five (5) business days. Spinneybeck cannot accept a return or warranty claim on any product that has been installed.
- 2 Each baffle includes a C-Channel (D) in the top with Square Nuts (E)—one (1) at each suspension point.
- 3 Screw a Suspension Rod (B) into each Square Nut (E) and slide to appropriate suspension point position. To lock the rod in position, twist the rod into the nut until it locks in position and no longer slides freely.
- 4 Repeat step 3 with the remaining Suspension Rods (B).
- 5 The Suspension Rods (B) are 6mm (M6x1.0) in diameter and should be secured to the ceiling or other support using an appropriate method.
- 6 Multiple lengths of Suspension Rods (B) may be joined with 6mm Coupling Nuts.
- 7 The baffles should be leveled and adjusted using a laser or string level. Adjust the Suspension Rod (B) length as needed at the ceiling attachment point.



## Cleaning Instructions

**Wool Felt:** Like any natural fiber, a minimal approach should always be taken to clean wool felt since the cleaning method could potentially do more harm than the soiling or stain. The cleaning approach should be (1) dust with a lint roller or (2) vacuum with a clean, soft brush.

**Søuld Eelgrass:** Like any natural fiber, a minimal approach should always be taken to clean eelgrass since the cleaning method could potentially do more harm than the soiling or stain. The cleaning approach should be (1) dust with a lint roller or (2) vacuum with a clean, soft brush.

**IMPORTANT:** Always test any cleaning method in an inconspicuous area before attempting general cleaning.

For complete instructions, refer to the Product Maintenance + Cleaning Guide at [filzfelt.com/cleaning-guide](http://filzfelt.com/cleaning-guide).